



Innovative Insulation Specialties

(800) 874-1748

(440) 914-1122

Fax: (440) 914-1133

www.gltproducts.com

# Plenumshield<sup>®</sup> (Firestop Blanket System)



## Description:

Great Lakes Textiles' Plenumshield provides a tested noncombustible barrier for encapsulating non-rated or combustible items located within a return air plenum. Plenumshield is provided as a lightweight (6 pcf) foil finished high temperature blanket.

UL 1887 test results indicate that use of Plenumshield, when installed according to the enclosed application procedures, will provide a noncombustible barrier to flame and smoke spread. This barrier can be installed as a wrap around PVC, CPVC, PB, PE, PP, PVDF and ABS piping within rated return air plenums, ducts and other areas requiring a noncombustible treatment.

Use of this application can effect significant savings by using this system to encapsulate existing combustible piping rather than a costly replacement with noncombustible piping.

## Technical Data:

Color (fiber) .....	White
(foil) .....	Silver to Gray
Density .....	6 pcf
Flame Spread (UL723/ASTM E-84) .....	0
Smoke Developed (UL723/ASTM E-84) .....	0
Fuel Contributed (UL723/ASTM E-84) .....	0
Thermal Resistance (ASTM C518) .....	4.2
Operating Temperature.....	2,300°F (1,260°C)
Melt Point .....	3,100°F (1,705°C)
Max. Flame Spread (UL1887) .....	0 (ft.)
Max. Smoke/optical density (UL1887).....	0.1
Average Smoke (UL1887) .....	0

Test Standard: Plenumshield has been tested at the Omega Point Laboratories to UL 1887 test procedure, a modified tunnel test which provides data for flame spread and smoke density; a single plastic pipe and a bundle of plastic pipes of various sizes were subjected to this fire test.

## Availability:

Plenumshield is available in the following standard convenient dimensions:

### Foil Encapsulated:

1/2" x 24" x 25' (50 sq. ft.)

1/2" x 48" x 25' (100 sq. ft.)

6810 Cochran Rd. • Solon, Ohio 44139

## Installation:

Plenumshield is installed in one continuous layer with all horizontal and longitudinal joints overlapped a minimum of one (1") inch. The Plenumshield is to be secured by an outer wrapping of stainless steel tie wire or of stainless steel banding. Stainless steel tie wire can be secured by twist tensioning; stainless steel banding to be secured with stainless crimp clips. All tie wire or banding to be secured at 1½" from the edge of the Plenumshield, and on 10" centers along longitudinal length of the installation.

### GLT 0.5 Plenum Insulation System

Figure 1: 4" Single Plastic Pipe

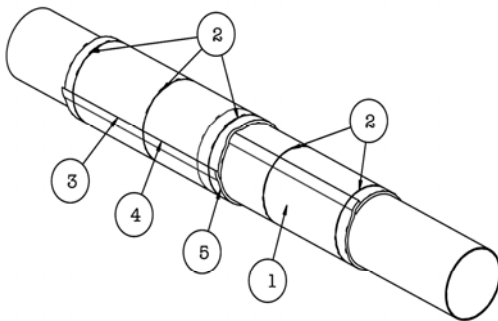


Figure 2: 4" Plastic Pipe Bundle

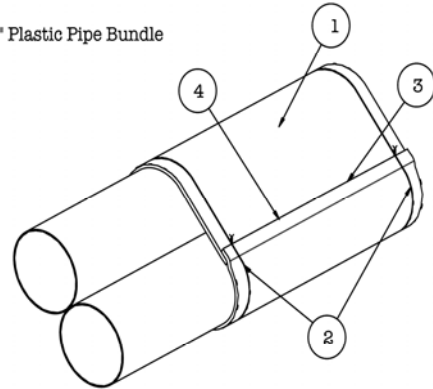


Figure 3: 1" Plastic Pipe Bundle

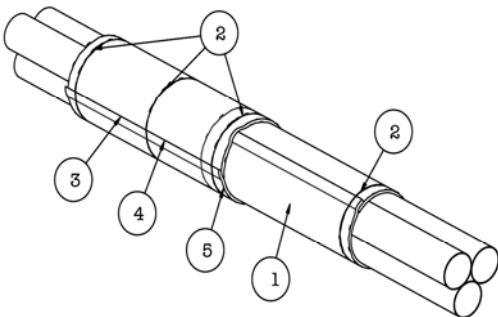
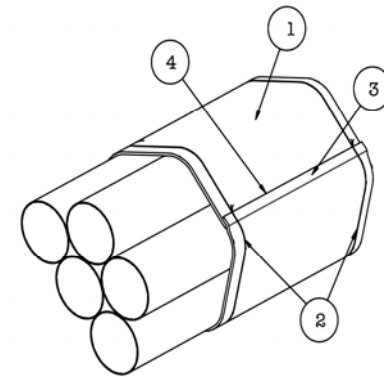


Figure 4: 1" Plastic Pipe Bundle



NOTE:  
Seal all cut edges with Aluminum foil tape.

Legend:	
1	GLT 0.5 Plenum Insulation, One Layer
2	SS Tie wire or banding
3	Aluminum foil tape to seal cut edges
4	Perimeter overlap 1" min.
5	Longitudinal overlap 1" min.