



**Midwest Fasteners**  
 450 Richard St.  
 Miamisburg, OH 45342  
**Website:** [www.midwestfasteners.com](http://www.midwestfasteners.com)  
**Email:** [sales@midwestfasteners.com](mailto:sales@midwestfasteners.com)

**Toll Free:** (800) 852-8352  
**Phone:** (937) 866-0463  
**Fax:** (937) 866-4174

[All Categories](#) > [Insulation Fasteners](#) > [Capacitor Discharge Weld Pins & Arc Weld Pins](#) > **Capacitor Discharge (CD) Weld Pins**

## CAPACITOR DISCHARGE (CD) WELD PINS

Size	D	FD (Steel)	FD (Aluminum)
14GA	0.080	0.160	-
12GA	0.105	0.180	0.230
3MM	0.118	0.190	0.240
10GA	0.135	0.195	0.250

### Materials

#### Low Carbon Steel

C - 0.23% max. P - 0.04% max.

Mn - 0.90% max. S - 0.05% max.

#### Stainless Steel

AISI grade - 302/304/305 std.

Other grades available upon request.

#### Aluminum

Alloy - 1110-H14 std.

Other alloys available upon request.

### Mechanical Properties

#### Low Carbon Steel

Tensile - 60,000 psi (min.)

Yield - 50,000 psi (min.)

Elongation - 20% (in 2 inches)

#### Stainless Steel

Values for various grades are available upon request

#### Aluminum

Values for various grades are available upon request

### Plating

Galvanized and Copper plating are available for Low Carbon Steel.

### Annealing

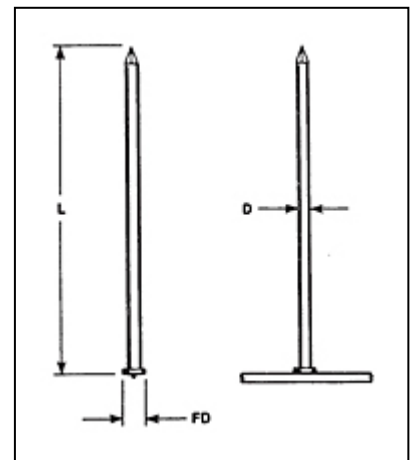
Low Carbon Steel pins are annealed when required.

### Washers

Self-locking washers are available in a variety of sizes, shapes, and materials.

CD  
Weld  
Pins

CD  
Weld  
Pins



***Application***

This is the standard weld pin used for most applications.

**Please click the Request Information button to configure your Capacitor Discharge (CD) Weld Pins.** [less](#)